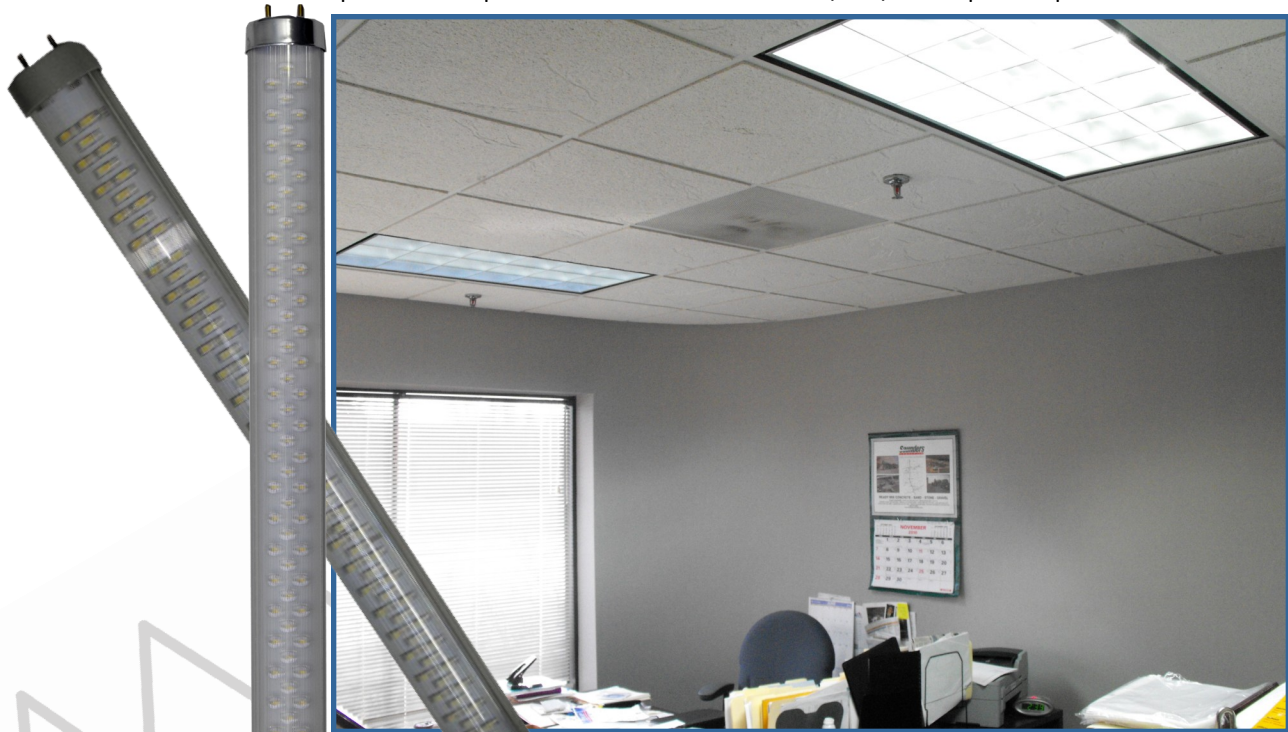


Project Name:	Location:	Date:	Qty:
Fixture Type:	Prepared by:	Comments:	

The WFBT8 LED Fluorescent Tube Replacement replaces traditional fluorescent T8/T10/T12 bi-pin and post connect tubes.



Specifications

LED Module:

- Multi-LED configuration
- Nichia DIP & SMD LED Technology
- Lumen Degradation(L₇₀): > 50,000 hrs
- No UV, Infrared emission
- Luminous Efficacy: > 90 lm/W @ 25 °C
- Lighting Angle: 120°
- CCT: 3000 K, 5500 K
- CRI: > 75 Ra

LED Driver Module:

- Input Voltage: AC 100 V to 277 V
- Power Factor: > 95%
- Power Efficiency: > 85%
- THD: < 20%
- Lifespan: > 50,000 hrs

Luminaire:

- *Total Fixture Wattages:

2' - 08 W	3' - 12 W (No ETL)
4' - 15 W	5' - 24 W (No ETL)
6' - 28 W	8' - 36 W
- Ambient Operating Temperature: -30 °C to 50 °C
- Weight: ½ lbs to 3 lbs
- IP Rating: IP40
- Controllability: Instant On/Off
- Longer lifespan than incandescent, fluorescent, and HID
- Wide voltage and constant-current solid state design
- High shock and vibration resistance
- Environmentally Friendly: NO UV, IR, Lead or Mercury
- Clear or Striped Lens

Accordance with: CE, RoHS, ITACS and FCC
Compliance with UL 1993, UL 1598B CSA C22.2 No. 1993

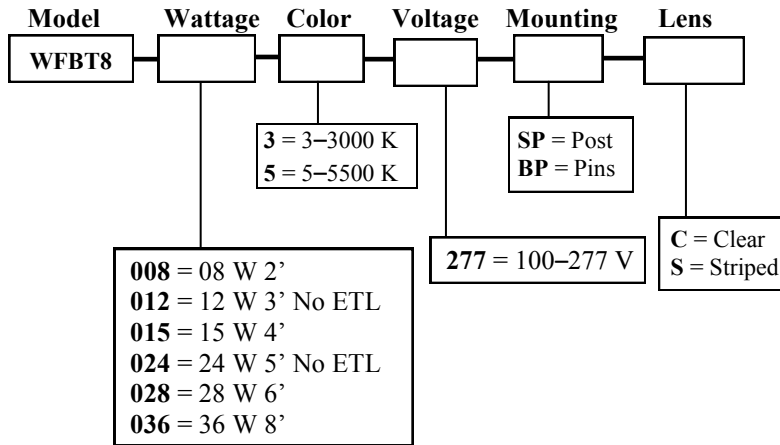


“RISK OF ELECTRIC SHOCK– USE IN DRY LOCATION”, “THIS DEVICE IS NOT INTENDED FOR USE WITH EMERGENCY EXITS”, “DO NOT USE WITH DIMMERS”, “RISQUE DE CHOC ELECTRIQUE”, “UTILISER DANS UN EMPLACEMENT SEC UNIQUEMENT”

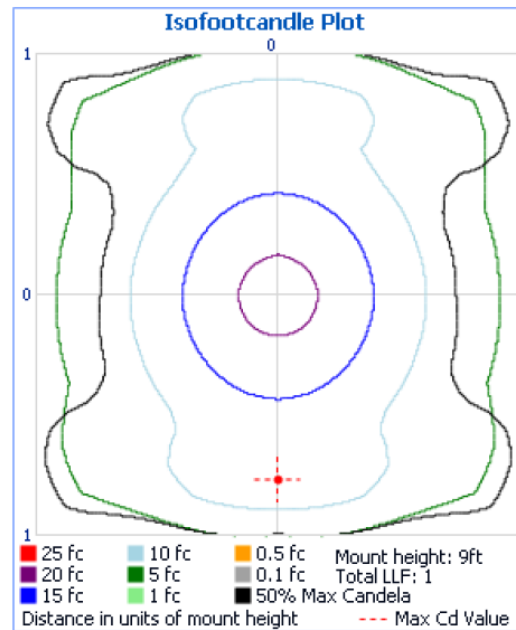
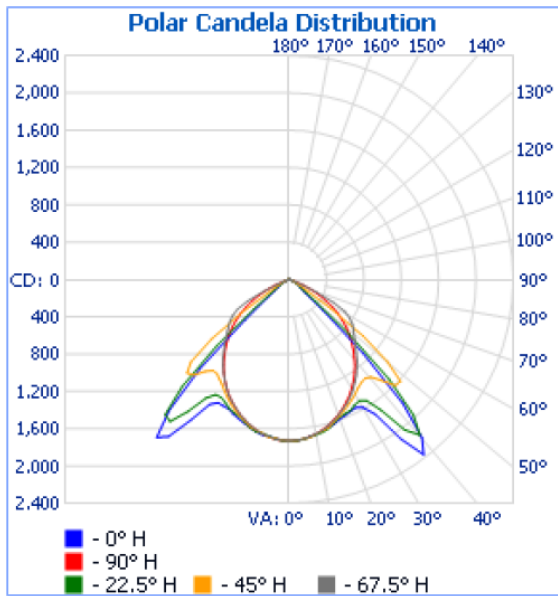
5 Year Labor and Part Warranty against manufacturer defect is provided to use under normal operating condition. Proof of purchase must be provided when warranty service is requested. Notice that improper use or unauthorized repair will not be covered by the warranty. S3J Electronics reserves the right to make changes to this document and to the product without notice. *Fixture wattage may vary from 1% to 2%.

WFBT8 LED Fluorescent Tube Replacement

Ordering Information



PHOTOMETRICS: 2' x 4' (3) Tube Parabolic Trouffer



Illuminance at a Distance

Center Beam FC	Beam Width	
770.89 fc	3.0ft	2.2ft
192.72 fc	6.0ft	4.5ft
85.65 fc	9.1ft	6.7ft
48.18 fc	12.1ft	9.0ft
30.84 fc	15.1ft	11.2ft
21.41 fc	18.1ft	13.5ft

■ Vert. Spread: 90.3° ■ Horiz. Spread: 73.6°